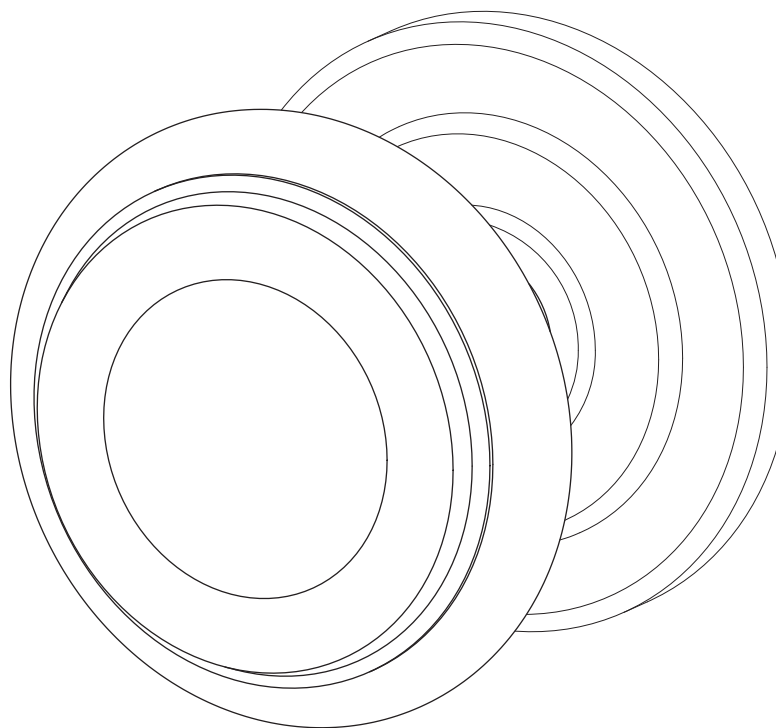


# Install Instructions

## Centre Door Knob



Scan for AU  
Warranty



Scan for NZ  
Warranty



Scan for  
Product &  
Finish Care  
Information



\*Image used for illustration purposes only.

### Contact Us Southern Design Group

**Australia**  
14 - 16 Stepney Street,  
Stepney, South Australia 5069  
P: +61 (0)8 8362 1133  
info@iver.com.au  
iver.com.au

**New Zealand**  
P: +64 (0)6 359 0008  
info@iver.co.nz  
iver.co.nz

**SDG Trading Pty Ltd**  
trading as Iver  
ACN 008 154 041 | ABN 18 008 154 041

## 1. Marking the Door

- 1.1. Mark the centre point of the knob in the desired location on your door.
- 1.2. In most instances this will be centred on your door. (Figure 1)

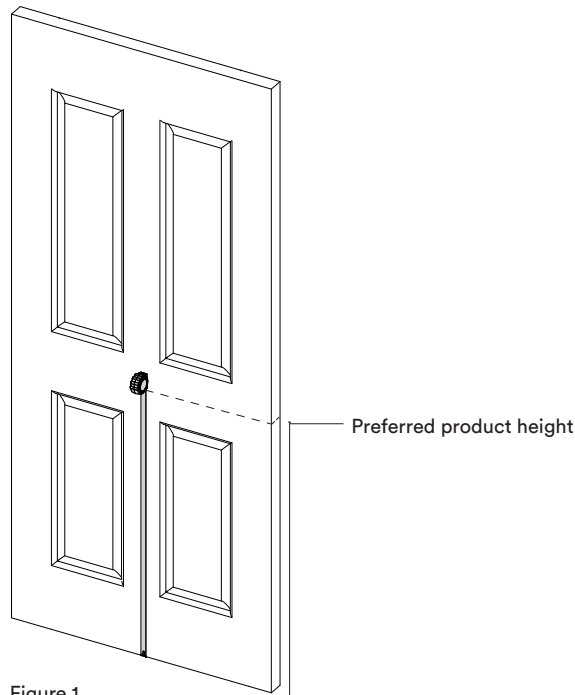


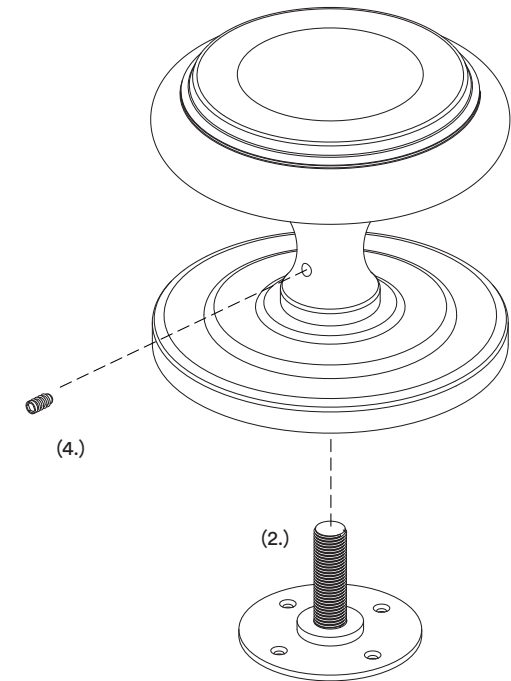
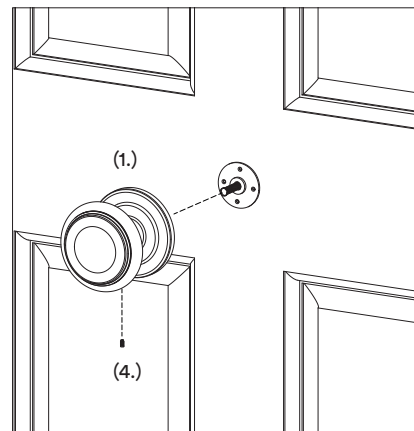
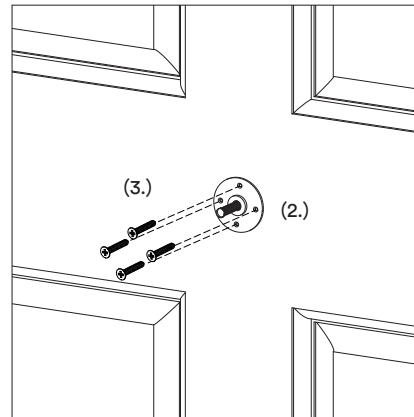
Figure 1.

### IMPORTANT:

1. Please install this door hardware in the following order to ensure its warranty is not voided.
2. Install the door hardware on raw / unfinished door using the instructions provided. Remove door hardware and store safely. Do not place painters tape or masking tape over the product. The tape will damage the finish.
3. Paint / finish door.
4. Reinstall hardware.

## 2. Fitting the Centre Door Knob (Concealed Fix)

- 2.1. Unscrew the inner fitting plate from the base of the knob
- 2.2. Place the inner fitting plate on the marked centre point of the door. Mark the fitting plate screw holes.
- 2.3. Drill pilot holes for wood screws at each mark, making sure not to drill through the door to the other side.
- 2.4. Place inner fitting plate over pilot holes and fix to the door using the wood screws provided.
- 2.5. Screw the female shaft of the centre door knob onto the threaded rod of the inner fitting plate until the knob sits flush on the door face.
- 2.6. Tighten the grub screw in the neck of the knob to ensure the knob does not spin.



## 3. Fitting the Door Knob (Rear Fix)

- 3.1. Unscrew the inner fitting plate from the base of the knob
- 3.2. Using an appropriately sized drill bit, drill a hole through the door at the marked centre point.
- 3.3. Insert rear fix bolt through the hole from the inside of the door
- 3.4. Screw the rear fix bolt into the female shaft of the centre door knob by hand and tighten firmly
- 3.5. Tighten the grub screw in the neck of the knob to ensure the knob does not spin.

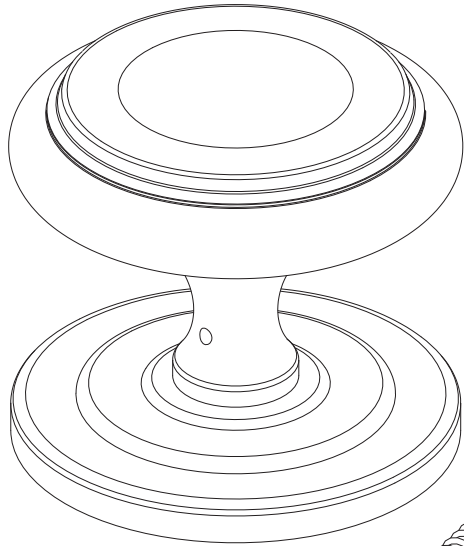
### PLEASE NOTE:

The screws provided with Iver products are made from solid brass. This allows finishes to be matched as closely as possible and prevents the possibility of screws rusting in coastal areas. Please note that screws require **pre-drilling**.

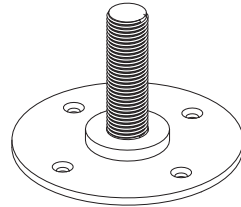
Please take extra care when fitting.

## Included:

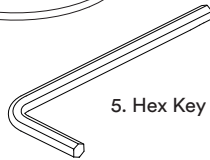
1. Centre Door Knob



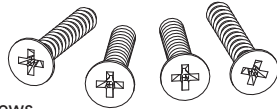
2. Inner Fitting Plate



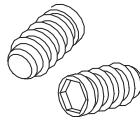
5. Hex Key



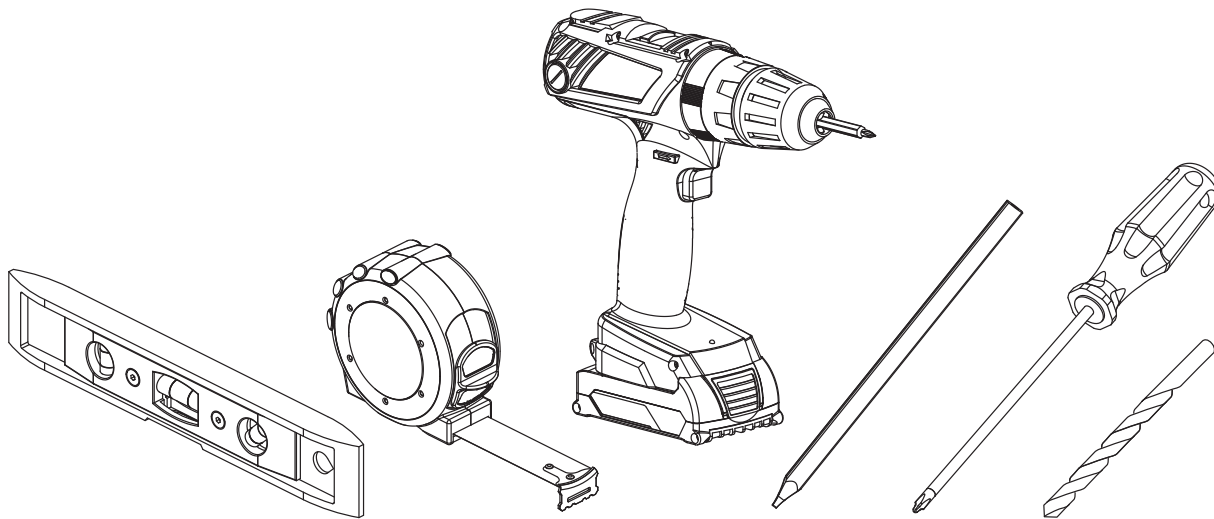
3. Wood Screws



4. Grub Screws




## Not Included:



### IMPORTANT:

Please install this door hardware in the following order to ensure its warranty is not voided.

1. Install the door hardware on raw / unfinished door using the instructions provided.
2. Remove door hardware and store safely. Do not place painters tape or masking tape over the product. The tape will damage the finish.
3. Paint / finish door.
4. Reinstall hardware.

 Please recycle me after use