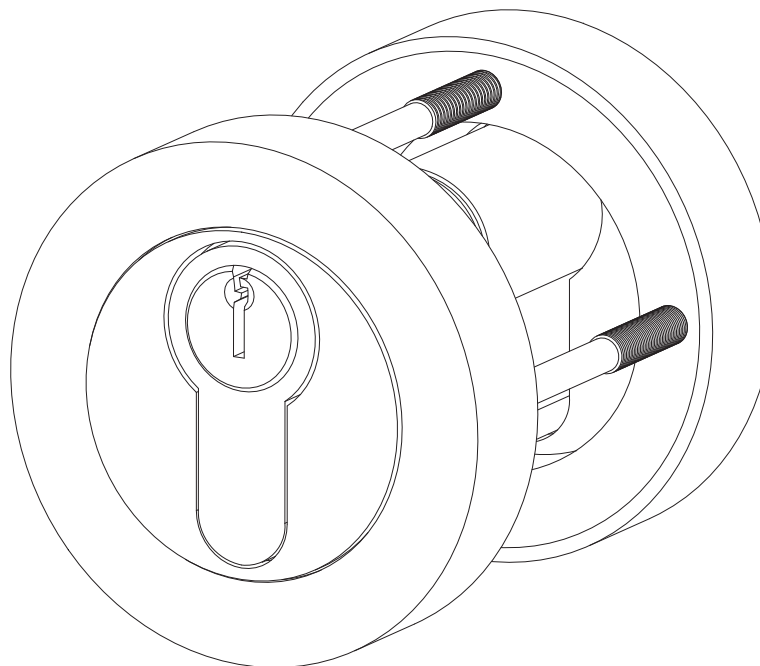


Install Instructions

Escutcheon



Scan for AU
Warranty



Scan for NZ
Warranty



Scan for
Product &
Finish Care
Information



*Image used for illustration purposes only.

Contact Us Southern Design Group

Australia
14 - 16 Stepney Street,
Stepney, South Australia 5069
P: +61 (0)8 8362 1133
info@iver.com.au
iver.com.au

New Zealand
P: +64 (0)6 359 0008
info@iver.co.nz
iver.co.nz

SDG Trading Pty Ltd
trading as Iver
ACN 008 154 041 | ABN 18 008 154 041

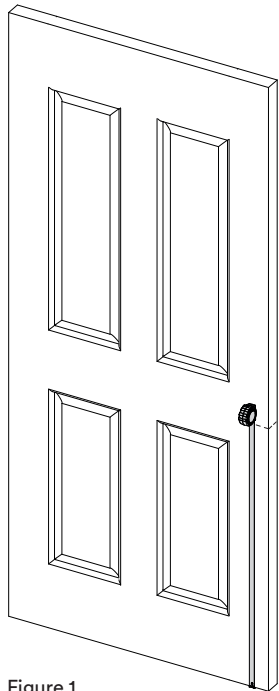


Figure 1.

1. Marking the Door

- 1.1. Mark the edge of your door at the desired height of your escutcheon. This will generally be 85mm CTC (Centre to Centre) from the centre of the spindle hole of the door lever to the centre of the key hole.* (Figure 1)

Preferred product height

- 1.2. Using a spirit level, mark the door at the desired height, continuing the line from the front of the door, around the edge and onto the back of the door. (Figure 2)

- 1.3. We recommend extending the line 100mm onto each face of the door.

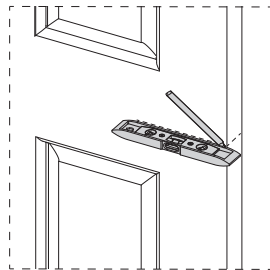


Figure 2.

*Please refer to the template included with your mortice lock (also available for download from our website).

2. Install Mortice Lock

As per supplier instructions, resources available at iver.com.au/resources.

3. Install Euro Cylinder (key/key only*)

- 3.1. Insert key/key euro cylinder through the lock body and fix with the appropriately sized cylinder screw provided. (Figure 3)

—
*If you are installing a cylinder with thumb turn, please skip this step and proceed to step 4.
**If required, refer to suppliers instructions.

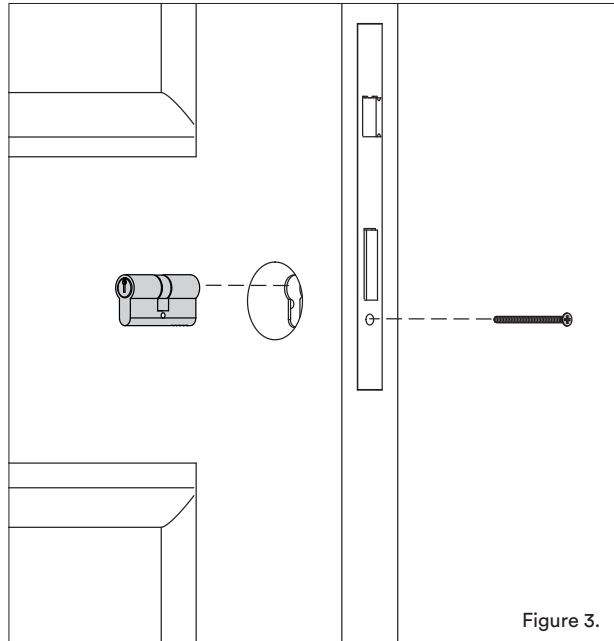


Figure 3.

4. Prepare Cut-off Screws

— if using face fix timber screws, proceed to step 5

- 4.1. If required, shorten cut-off screws to suit door thickness. (Figure 4)
- 4.2. Ensure to cut so that the screw does not protrude from the opposite rose once installed. (Figure 5)

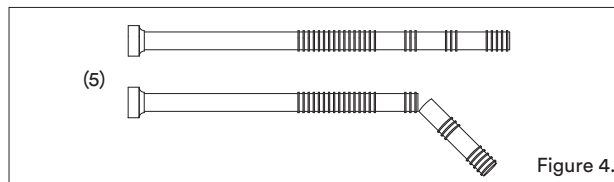


Figure 4.

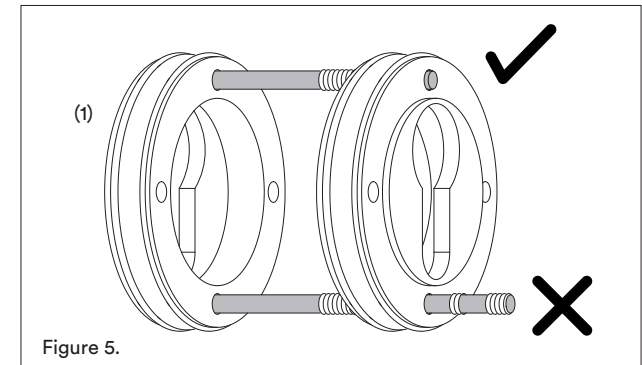


Figure 5.

5. Install Escutcheon

- 5.1. Unscrew the outer roses from the escutcheon set (for square rose hardware loosen grub screw and remove) and install the halves on either side of the door, sliding the euro cut-outs over the euro cylinder ends.

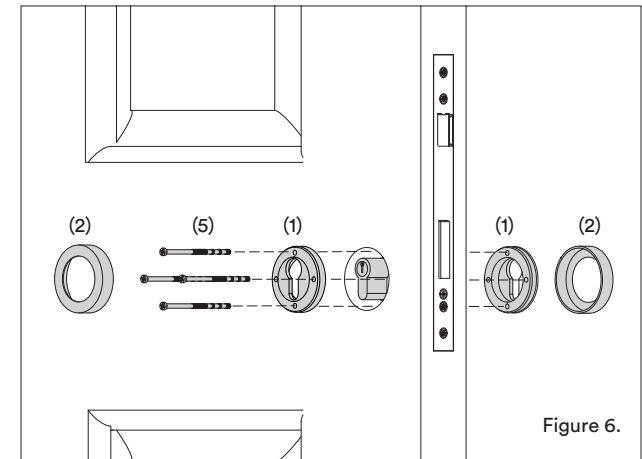
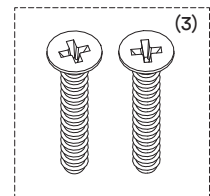


Figure 6.

- 5.2. Insert two of the cut-off screws through non threaded holes of the escutcheon at 3 and 9 o'clock, feeding them through the bolt-through holes in the mortice lock and screwing them into the opposite rose, OR



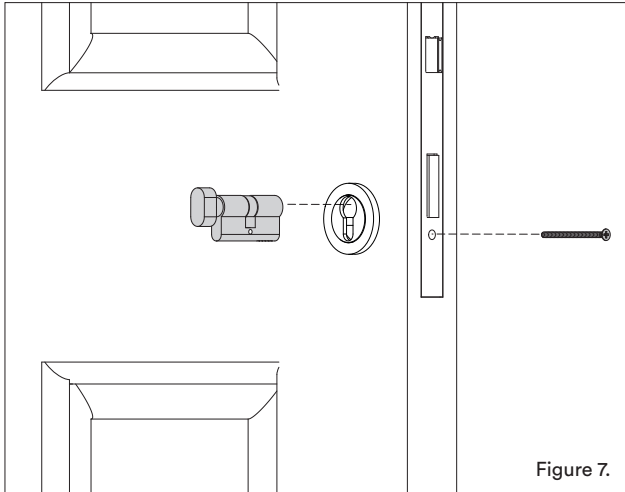
Wood Screws

- 5.3. Affix wood screws at all fixing points.
- 5.4. Replace outer rose covers. (Figure 6)

6. Install Euro Cylinder (Thumb turn)

- 6.1. Insert thumb turn euro cylinder through the lock body and fix with the appropriately sized cylinder screw provided. (Figure 7)

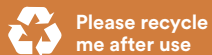
—
*If required, refer to suppliers instructions.



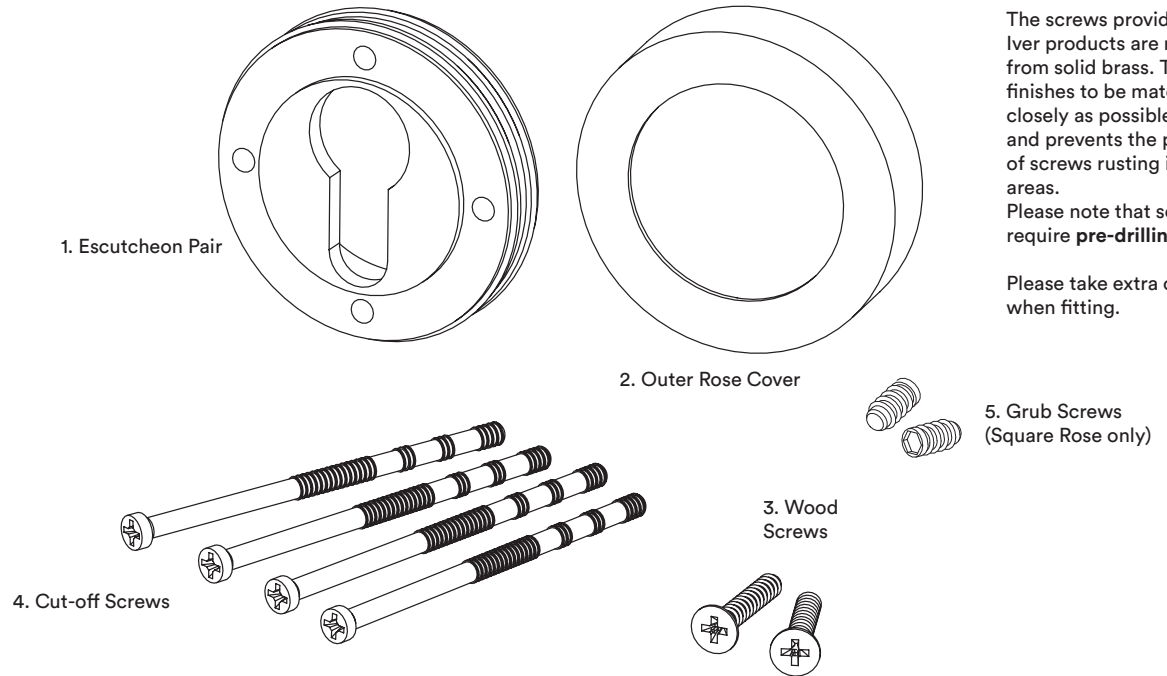
IMPORTANT:

Please install this door hardware in the following order to ensure its warranty is not voided.

1. Install the door hardware on raw / unfinished door using the instructions provided.
2. Remove door hardware and store safely. Do not place painters tape or masking tape over the product. The tape will damage the finish.
3. Paint / finish door.
4. Reinstall hardware.



Included:



PLEASE NOTE:

The screws provided with Iver products are made from solid brass. This allows finishes to be matched as closely as possible and prevents the possibility of screws rusting in coastal areas. Please note that screws require **pre-drilling**.

Please take extra care when fitting.

Not Included:

