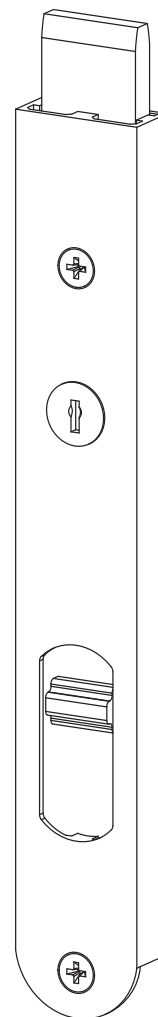


# Install Instructions

## Locking Flush Bolt



Scan for AU  
Warranty



Scan for NZ  
Warranty



Scan for  
Product &  
Finish Care  
Information



\*Image used for illustration purposes only.

### Contact Us Southern Design Group

**Australia**  
14 - 16 Stepney Street,  
Stepney, South Australia 5069  
P: +61 (0)8 8362 1133  
info@iver.com.au  
iver.com.au

**New Zealand**  
P: +64 (0)6 359 0008  
info@iver.co.nz  
iver.co.nz

**SDG Trading Pty Ltd**  
trading as Iver  
ACN 008 154 041 | ABN 18 008 154 041

## 1. Select Appropriate Flush Bolt Snib

1.1. Select your preferred bolt snib – please note that bolt snibs can only be changed prior to bolt installation.

Flush snibs are preferable for stackable doors, or instances where doors sit flush against one another.

## 2. Marking the Door

2.1. Using your preferred method trace the outline of the flush bolt body in the desired mounting position on the door. (Figure 1.)

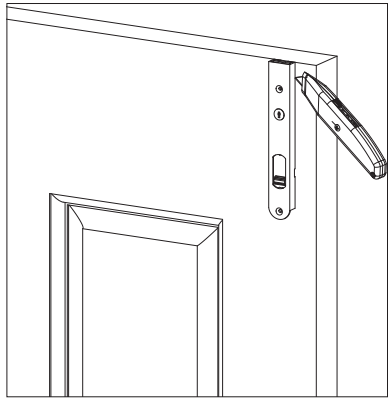


Figure 1.

## 3. Preparing the Door

3.1. Please note that three different cavity depths are required for flush installation of bolt.

3.2. Starting from the door edge, use your preferred method to create a W30mm x D15mm cavity for the bolt body – **for the last 15mm of the rounded end of the bolt this cavity should only be D6mm.**

3.3. Place the bolt in the cavity and trace around the rounded end using your preferred method.

3.4. Create a D6mm cavity to accommodate rounded end (Figure 2).

3.5. Mark the centre point of the locking mechanism and create a W32mm x H55 x D6mm cavity to accommodate lock portion of the bolt. (Figure 3).

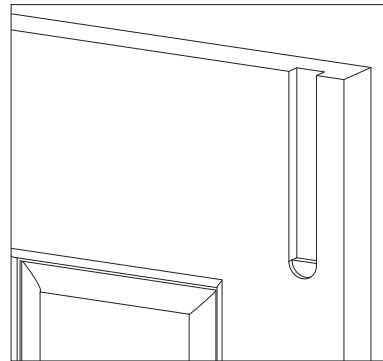


Figure 2.

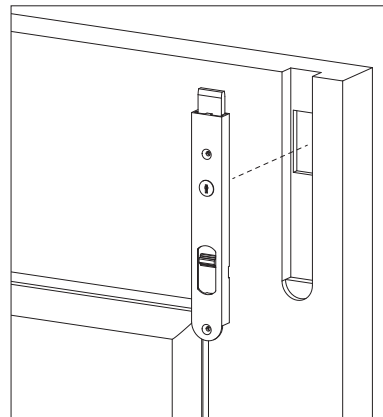


Figure 3.

## 4. Install Flushing Bolt

4.1. Insert the bolt into cavity and drill two 2mm pilot holes at 6 and 12 o'clock – ensure that screws are not longer than the thickness of the door. (Figure 4).

4.2. Install screws and tighten screws manually with a screwdriver. (Figure 5).

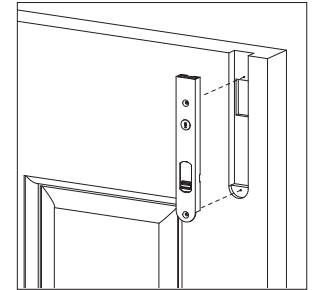


Figure 4.

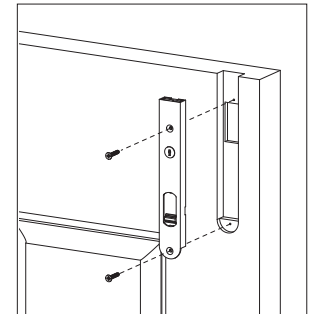


Figure 5.

## 5. Create Cavity for Bolt Throw

5.1. Using your preferred method create a L24mm x W6mm x D27mm cavity to accommodate bolt throw. (Figure 6).

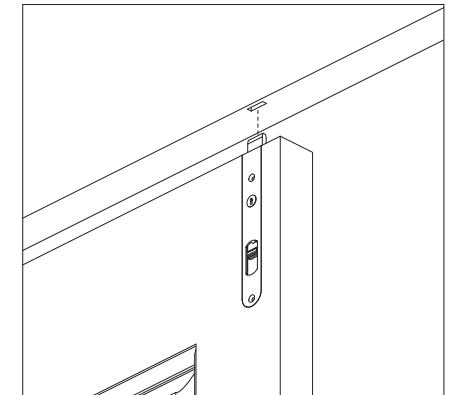


Figure 6.

### PLEASE NOTE:

The screws provided with Iver products are made from solid brass. This allows finishes to be matched as closely as possible and prevents the possibility of screws rusting in coastal areas. Please note that screws require **pre-drilling**.

Please take extra care when fitting.

## 6. Install Bolt Keeper

- 6.1. Select the appropriate keeper for your needs.
- 6.2. Drill two 2mm pilot holes and install screws, tighten screws manually with a screwdriver (Figure 7).

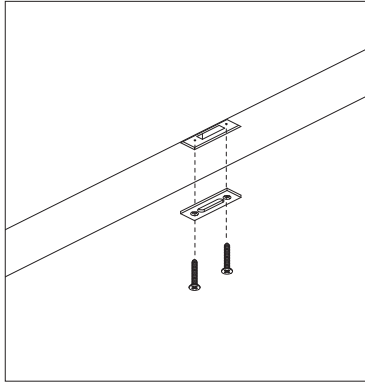
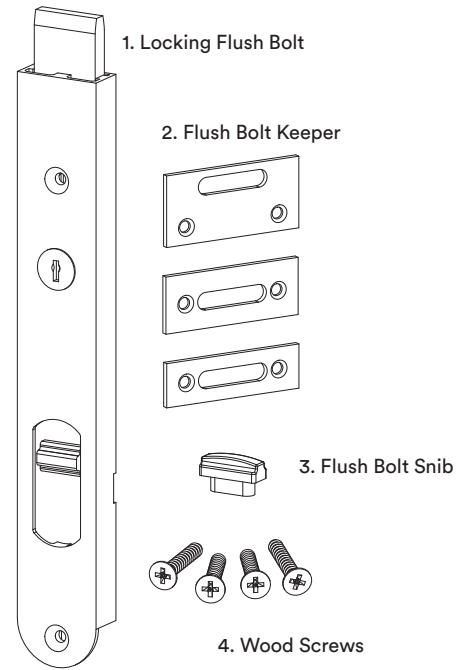
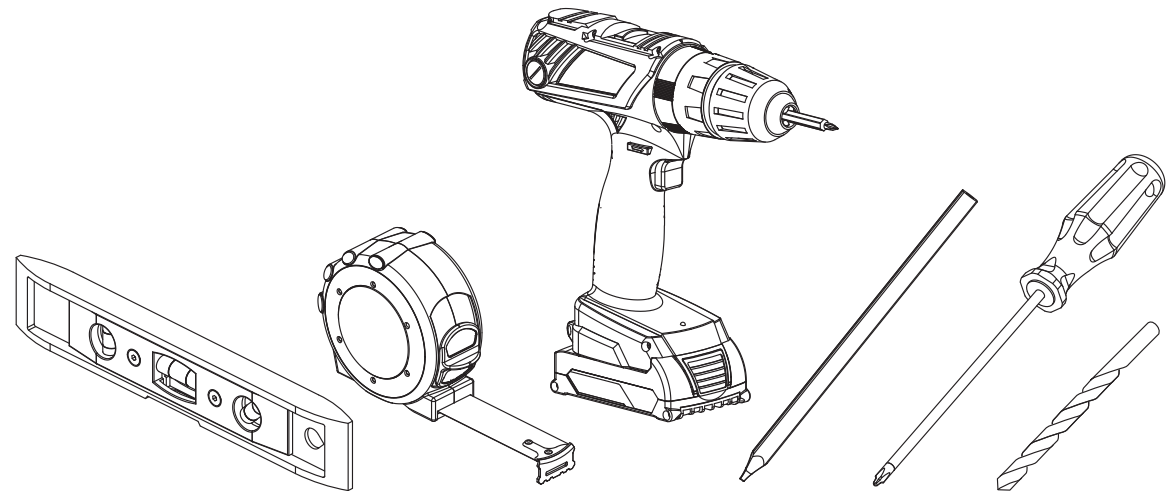


Figure 7.

## Included:



## Not Included:



### IMPORTANT:

Please install this door hardware in the following order to ensure its warranty is not voided.

1. Install the door hardware on raw / unfinished door using the instructions provided.
2. Remove door hardware and store safely. Do not place painters tape or masking tape over the product. The tape will damage the finish.
3. Paint / finish door.
4. Reinstall hardware.



Please recycle me after use

## Locking Flush Bolt

