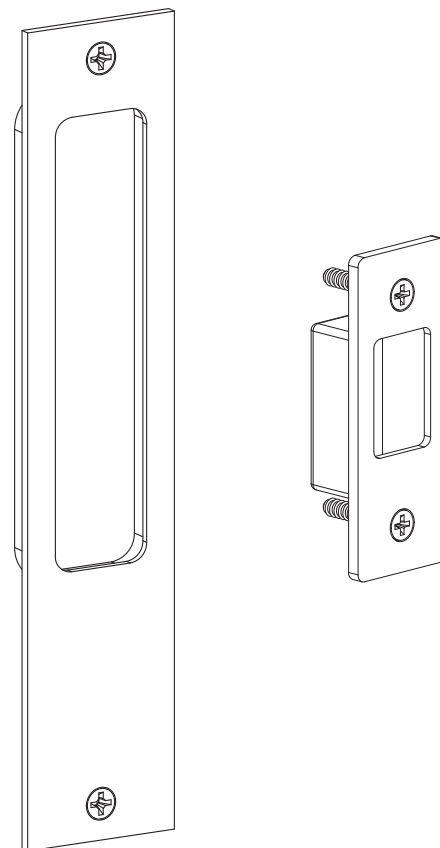


Install Instructions

Rectangular Sliding Door Pull



Scan for AU
Warranty



Scan for NZ
Warranty



Scan for
Product &
Finish Care
Information



*Image used for illustration purposes only.

Contact Us Southern Design Group

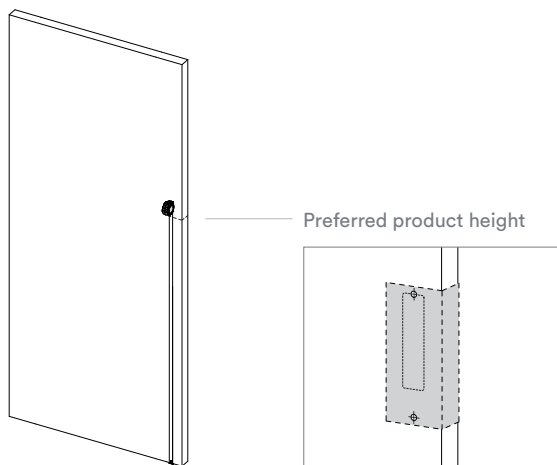
Australia
14 - 16 Stepney Street,
Stepney, South Australia 5069
P: +61 (0)8 8362 1133
info@iver.com.au
iver.com.au

New Zealand
P: +64 (0)6 359 0008
info@iver.co.nz
iver.co.nz

SDG Trading Pty Ltd
trading as Iver
ACN 008 154 041 | ABN 18 008 154 041

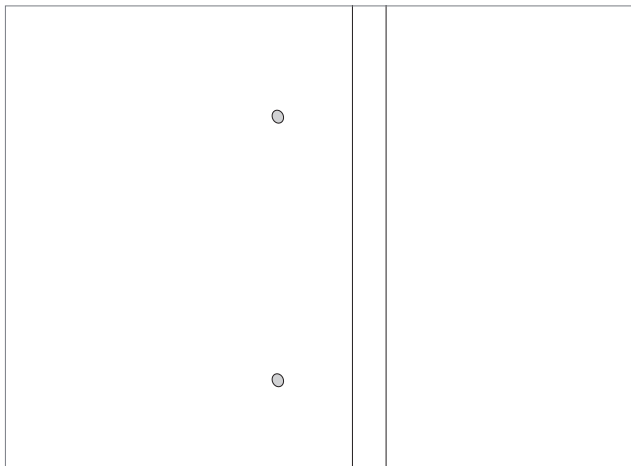
1. Marking the Door

- 1.1. Mark the edge of your door at the desired height of your pull handle.
- 1.2. Affix provided template to door and mark appropriate points for drilling.

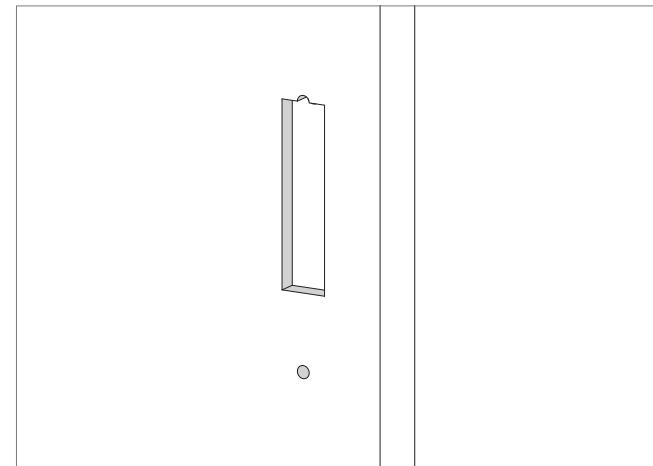


2. Preparing the Door

- 2.1. As per template, drill 2mm pilot holes at the top and bottom of the pull half-way through the door. Complete from the other side to avoid splitting the door. Re-drill pilot holes with 10mm drill bit to accommodate tie bolt.

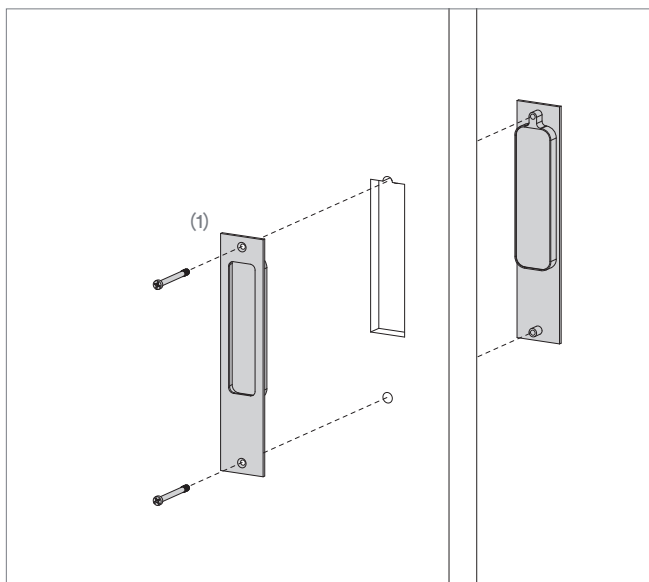


- 2.2. As per template, using your preferred method create a W36mm X H140mm cavity through door.

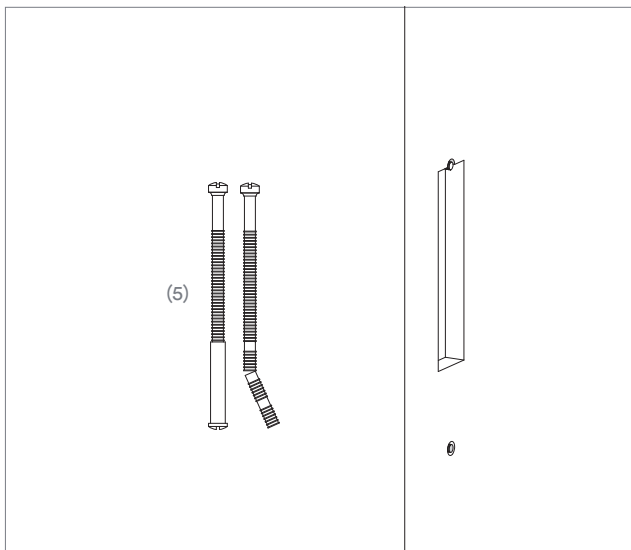


3. Install Pull Handles

- 3.1. Insert pulls on either side of the door.

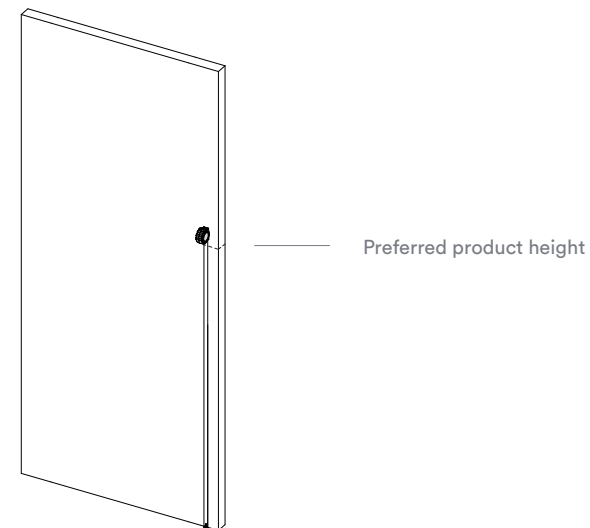


- 3.2. Insert tie bolt and cut to size as necessary.
- 3.3. Install pulls securing them with tie bolts.



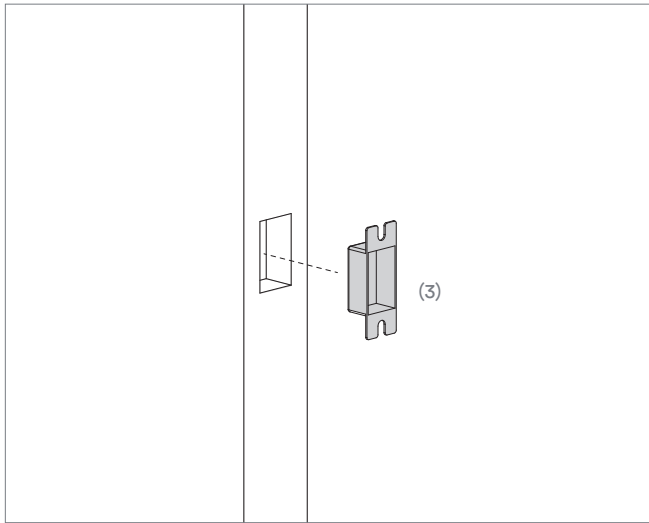
4. Install Edge Pull – Marking the Door

- 4.1. Mark the edge of your door at the desired height of your edge pull.

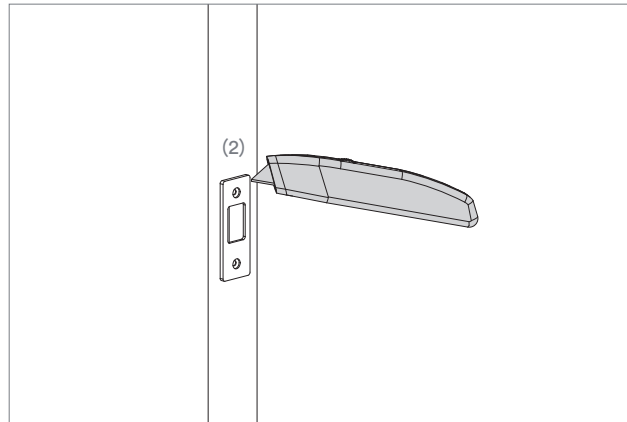


5. Preparing the Door

- 5.1. Using preferred method create a W25mmxH42.5mm cavity to a minimum depth of 20mm on the door edge.

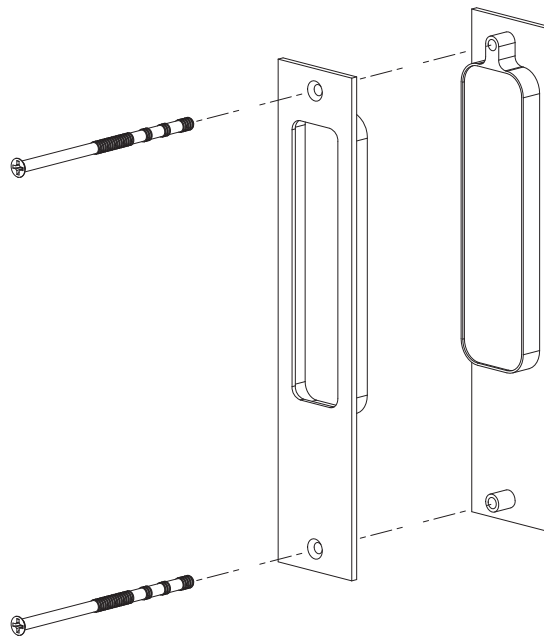


- 5.2. Remove dust and insert dust box.
5.3. Place edge pull over cavity and mark around the edges with a Stanley knife.



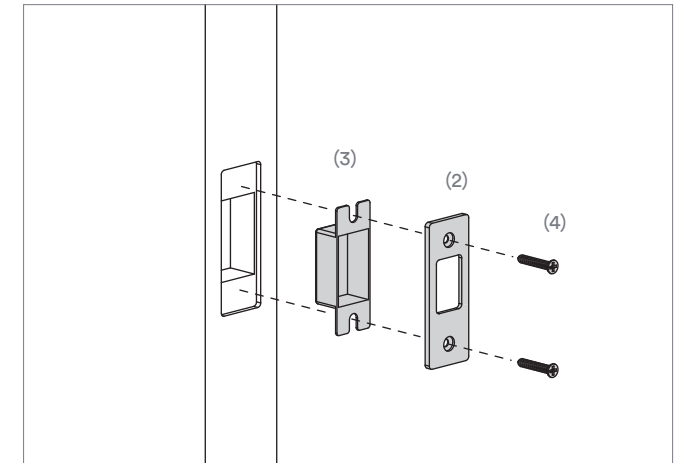
- 5.4. Using your preferred method create a 3mm recess to accommodate face plate.

Sliding Door Pull Edge



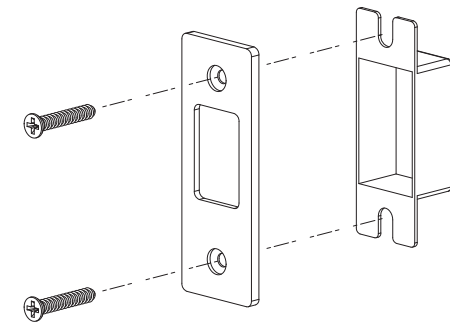
6. Installing Edge Pull

- 6.1. Insert the edge pull face plate.

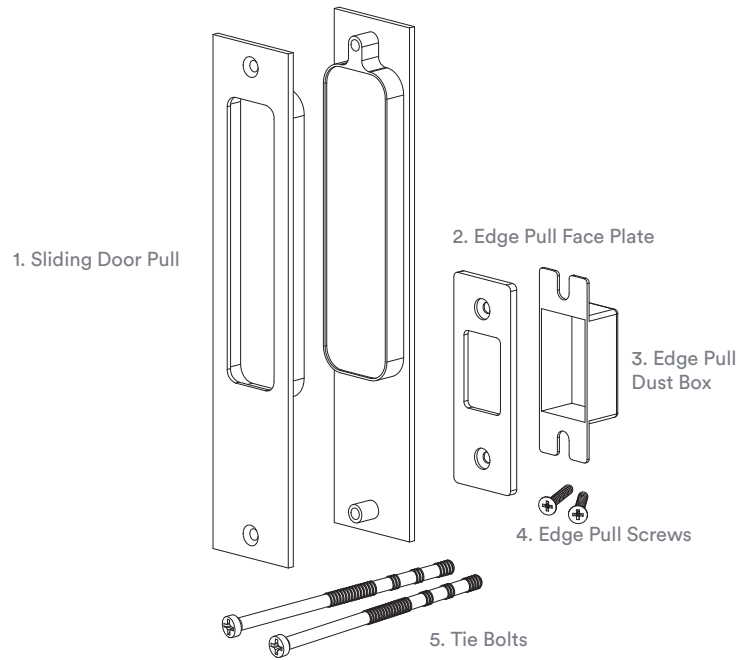


- 6.2. Drill two 2mm pilot holes for face plate screws at 6 and 12 o'clock and Install screws.
6.3. Tighten manually with a screwdriver.

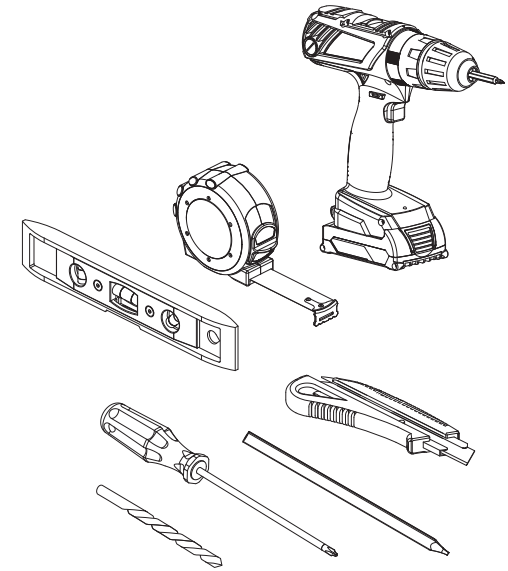
Edge Pull



Included:



Not Included:



PLEASE NOTE:

The screws provided with Iver products are made from solid brass. This allows finishes to be matched as closely as possible and prevents the possibility of screws rusting in coastal areas. Please note that screws require **pre-drilling**.

Please take extra care when fitting.

IMPORTANT:

Please install this door hardware in the following order to ensure its warranty is not voided.

1. Install the door hardware on raw / unfinished door using the instructions provided.
2. Remove door hardware and store safely. Do not place painters tape or masking tape over the product. The tape will damage the finish.
3. Paint / finish door.
4. Reinstall hardware.



Please recycle me after use



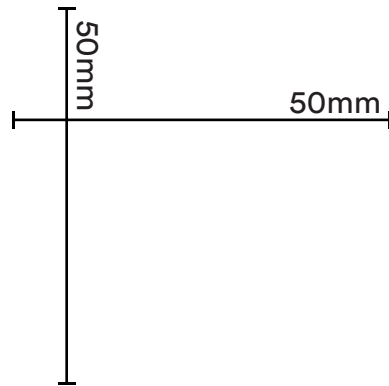
EDGE PULL DRILL TEMPLATE



Caution

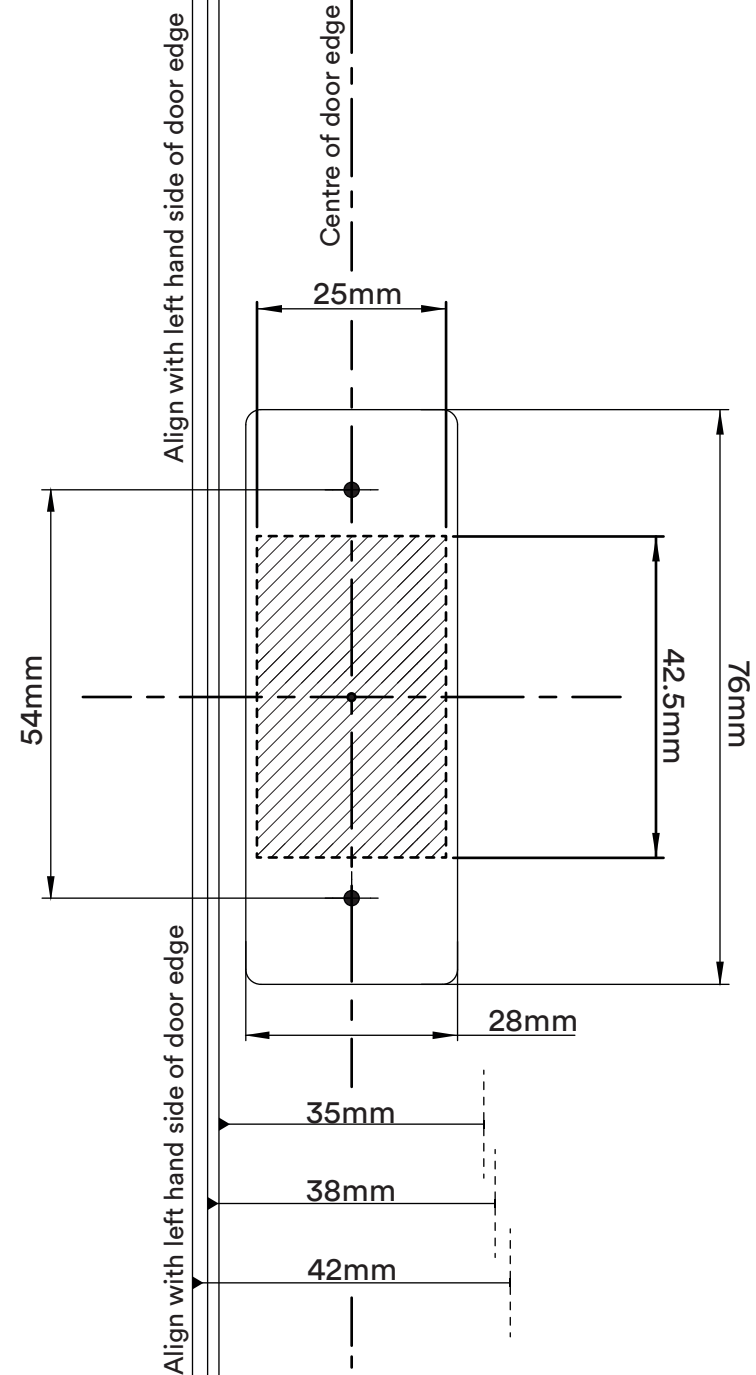
- * Please take time to read the installation guides in full, prior to commencing any work on the door.
- * Check the template is the appropriate template required for the installation
- * Check the scale of the template is correct, using the scale check. If the template is not to scale, please contact your distributor.

Scale Check

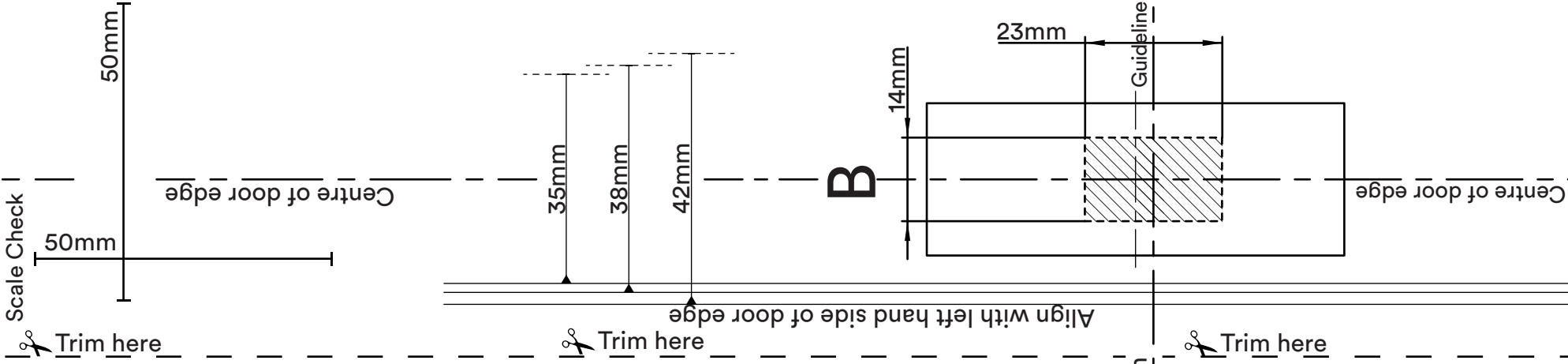
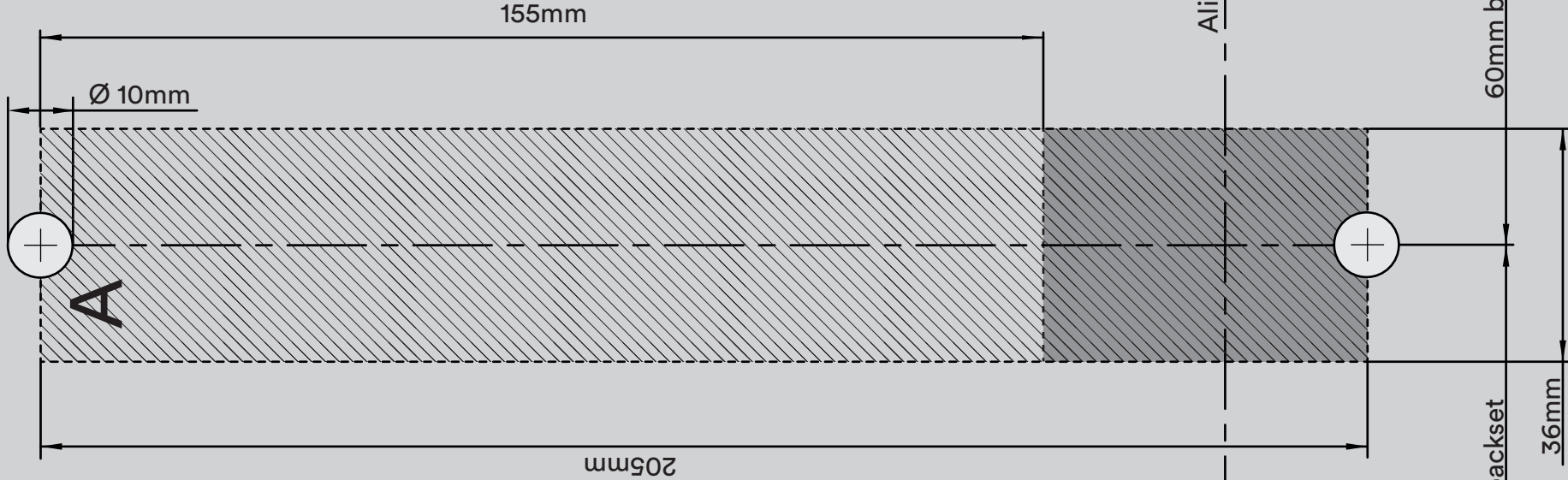


Trim here if required

Trim here if required



**SLIDING PULL NON-LOCKING AND
PRIVACY FUNCTION DRILL TEMPLATE**



iver