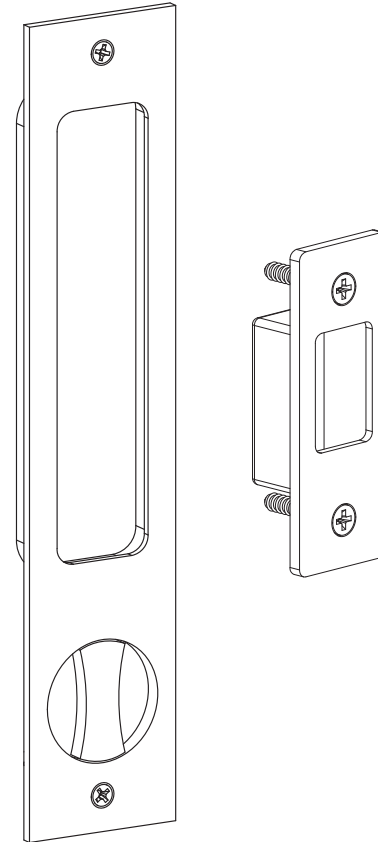


Install Instructions

Rectangular Sliding Door Pull Privacy



Scan for AU
Warranty



Scan for NZ
Warranty



Scan for
Product &
Finish Care
Information



*Image used for illustration purposes only.

Contact Us Southern Design Group

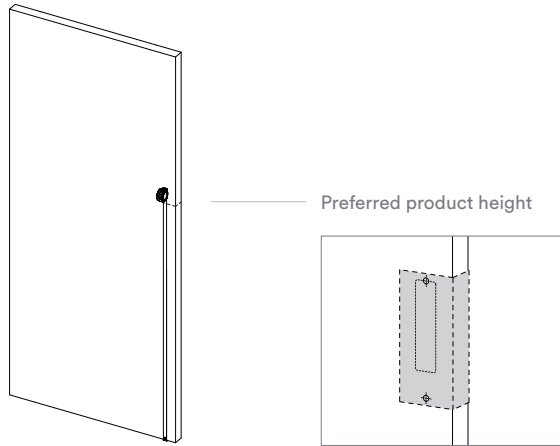
Australia
14 - 16 Stepney Street,
Stepney, South Australia 5069
P: +61 (0)8 8362 1133
info@iver.com.au
iver.com.au

New Zealand
P: +64 (0)6 359 0008
info@iver.co.nz
iver.co.nz

SDG Trading Pty Ltd
trading as Iver
ACN 008 154 041 | ABN 18 008 154 041

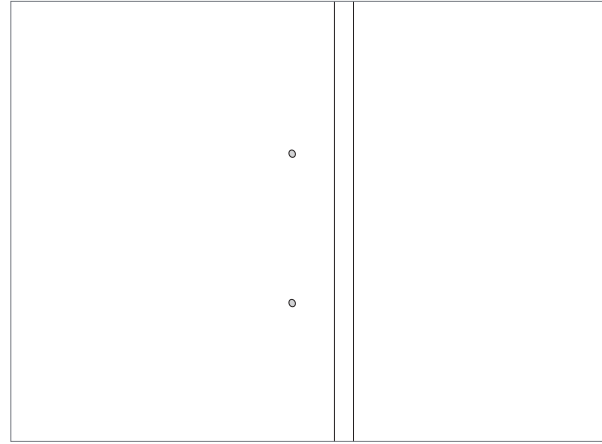
1. Marking the Door

- 1.1. Mark the edge of your door at the desired height of your pull handle.
- 1.2. Affix provided template to door and mark appropriate points for drilling.

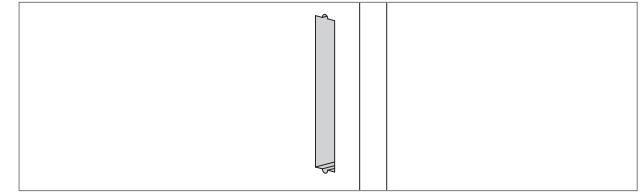


2. Preparing the Door

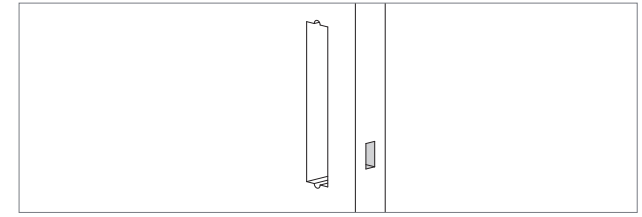
- 2.1. As per template, drill 2mm pilot holes at the top and bottom of the pull half-way through the door. Complete from the other side to avoid splitting door. Re-drill pilot holes with 10mm drill bit to accommodate tie bolt.



- 2.2. As per template, using your preferred method create a W36mm X H205mm cavity through door.

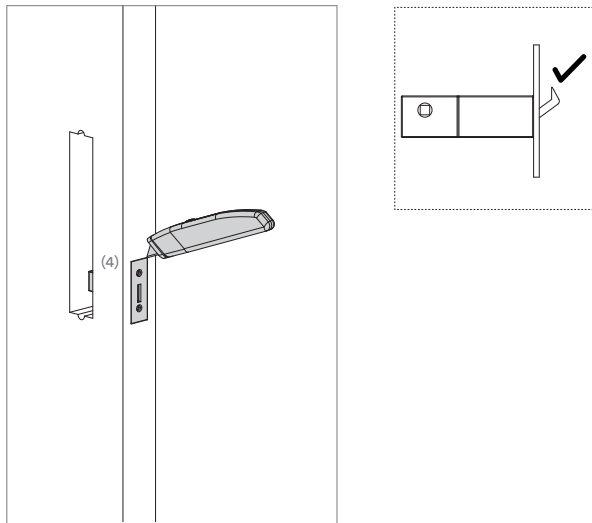


- 2.3. As per template, using your preferred method drill mortice hole of W14mm X H23mm X D80mm on edge of the door.

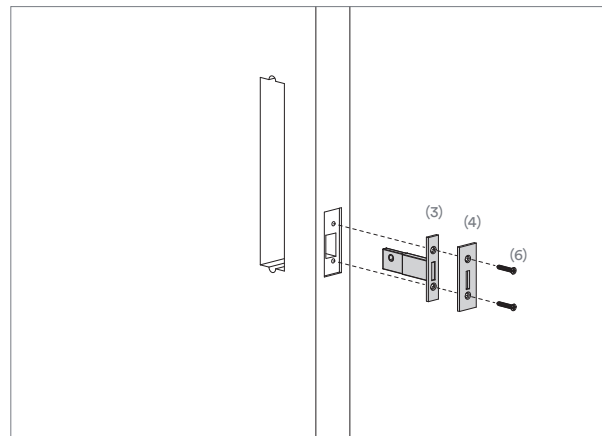


3. Install Privacy Unit

- 3.1. Insert the latch with face plate and mark around the edges with a Stanley knife.

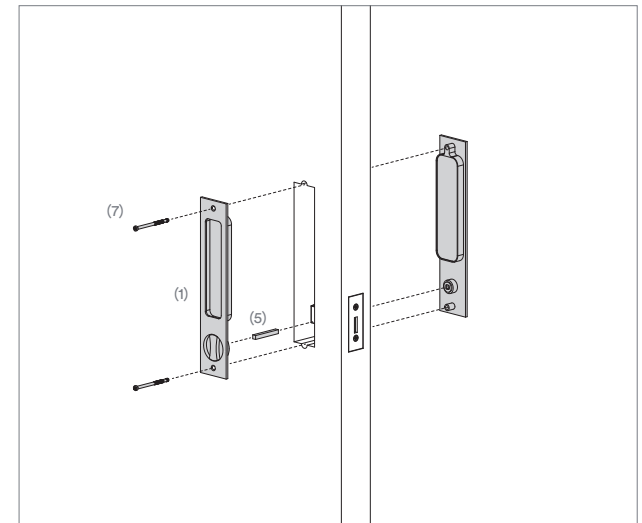


- 3.2. Using your preferred method create a 4mm recess to accommodate the latch and face plate.
- 3.3. Insert the latch and face plate unit and pre-drill two pilot holes for face plate at 6 and 12 o'clock.
- 3.4. Install latch and face plate with provided screws.

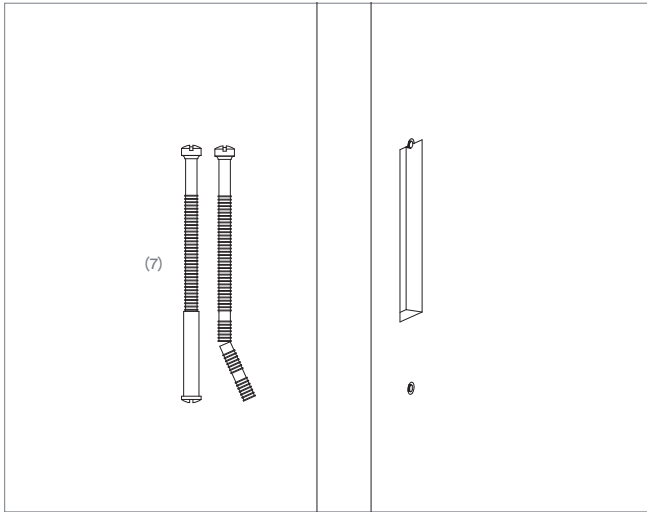


4. Install Pull Handles

- 4.1. Install appropriate size spindle through the latch follower (2 sizes supplied: 25mm & 40mm).

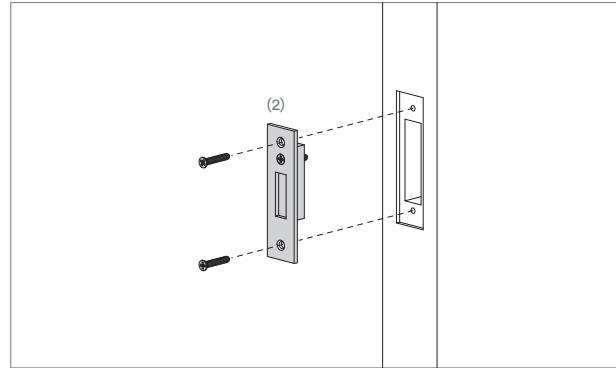


- 4.2. Insert Sliding Door Pull Privacy unit.
- 4.3. Insert tie bolt and cut to size as necessary.
- 4.4. Install pulls securing them with tie bolts.



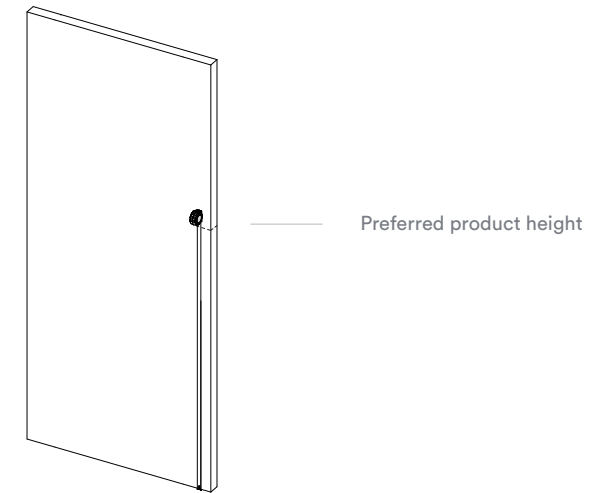
5. Install Adjustable Keeper

- 5.1 Paste template for the adjustable keeper to the door frame to align the latch.
- 5.2 As per template, using your preferred method create a 20mm deep cavity and install the adjustable keeper.
- 5.3 Pre-drill two holes and install the adjustable keeper with provided screws.
- 5.4 Test that the unit latch works and tighten adjustable keeper screw to achieve a snug fit.



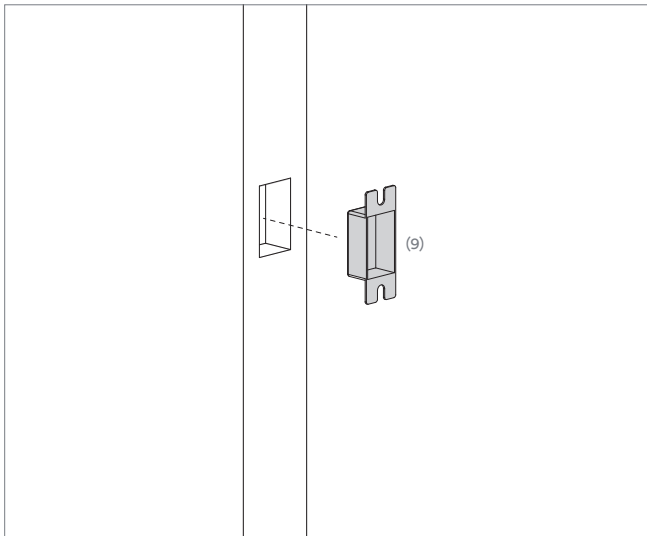
6. Install Edge Pull – Marking the Door

- 6.1. Mark the edge of your door at the desired height of your edge pull.

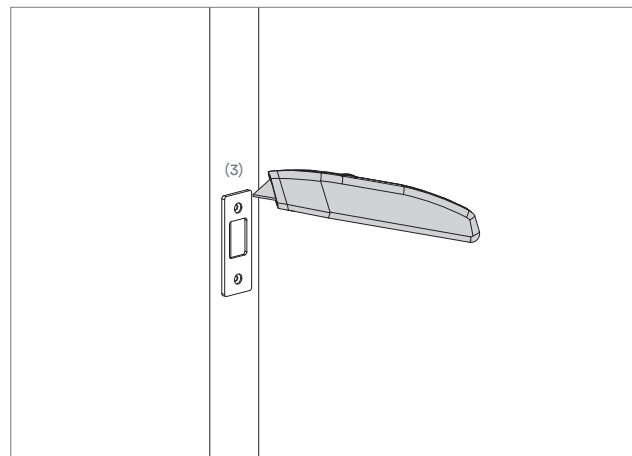


7. Preparing the Door

- 7.1. Using preferred method create a W25mmxH42.5mm cavity to a minimum depth of 20mm on the door edge.

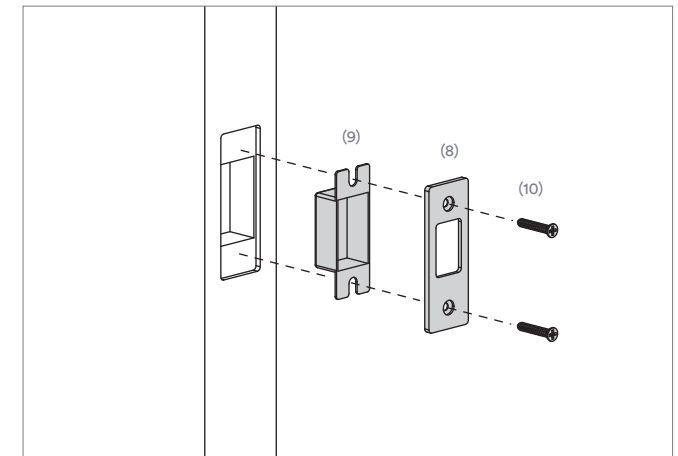


- 7.2. Remove dust and insert dustbox.
- 7.3. Place edge pull over cavity and mark around the edges with a Stanley knife.
- 7.4. Using your preferred method create a 3mm recess to accommodate face plate.



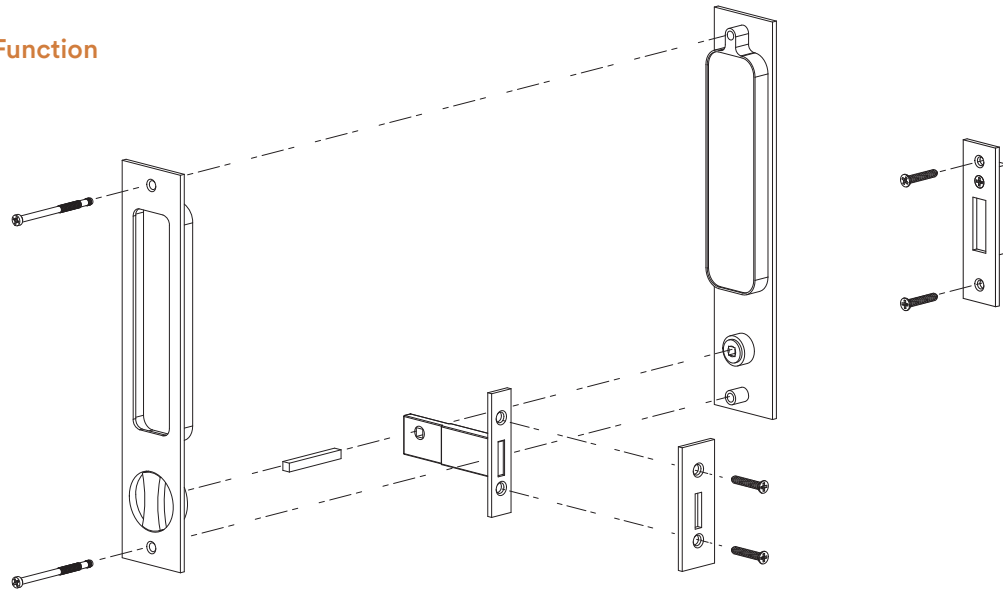
8. Installing Edge Pull

- 8.1. Insert the edge pull face plate.

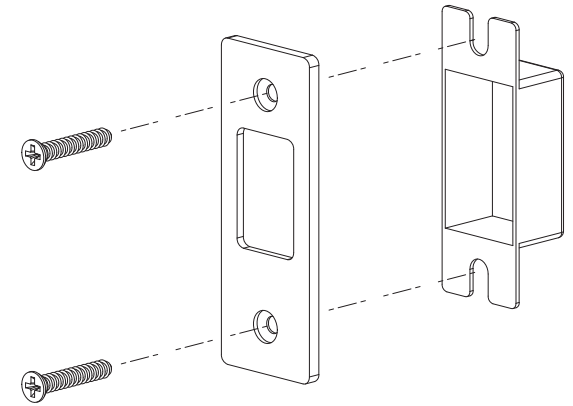


- 8.2. Drill two 2mm pilot holes for face plate screws at 6 and 12 o'clock and Install screws.
- 8.3. Tighten manually with a screwdriver.

Sliding Door Pull — with Privacy Function



Edge Pull



PLEASE NOTE:

The screws provided with Iver products are made from solid brass. This allows finishes to be matched as closely as possible and prevents the possibility of screws rusting in coastal areas. Please note that screws require **pre-drilling**.

Please take extra care when fitting.

IMPORTANT:

Please install this door hardware in the following order to ensure its warranty is not voided.

1. Install the door hardware on raw / unfinished door using the instructions provided.
2. Remove door hardware and store safely. Do not place painters tape or masking tape over the product. The tape will damage the finish.
3. Paint / finish door.
4. Reinstall hardware.



Please recycle me after use



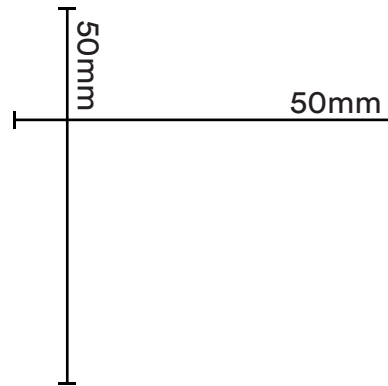
EDGE PULL DRILL TEMPLATE



Caution

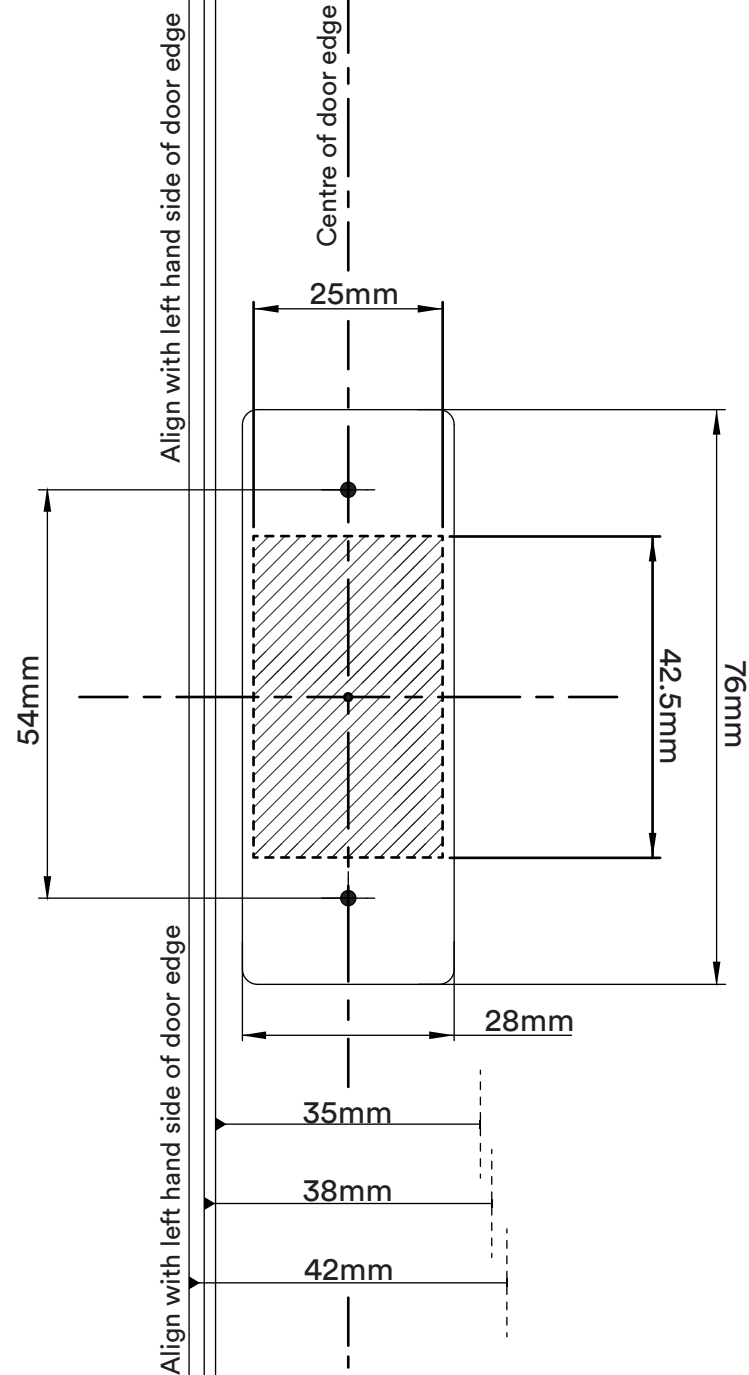
- * Please take time to read the installation guides in full, prior to commencing any work on the door.
- * Check the template is the appropriate template required for the installation
- * Check the scale of the template is correct, using the scale check. If the template is not to scale, please contact your distributor.

Scale Check

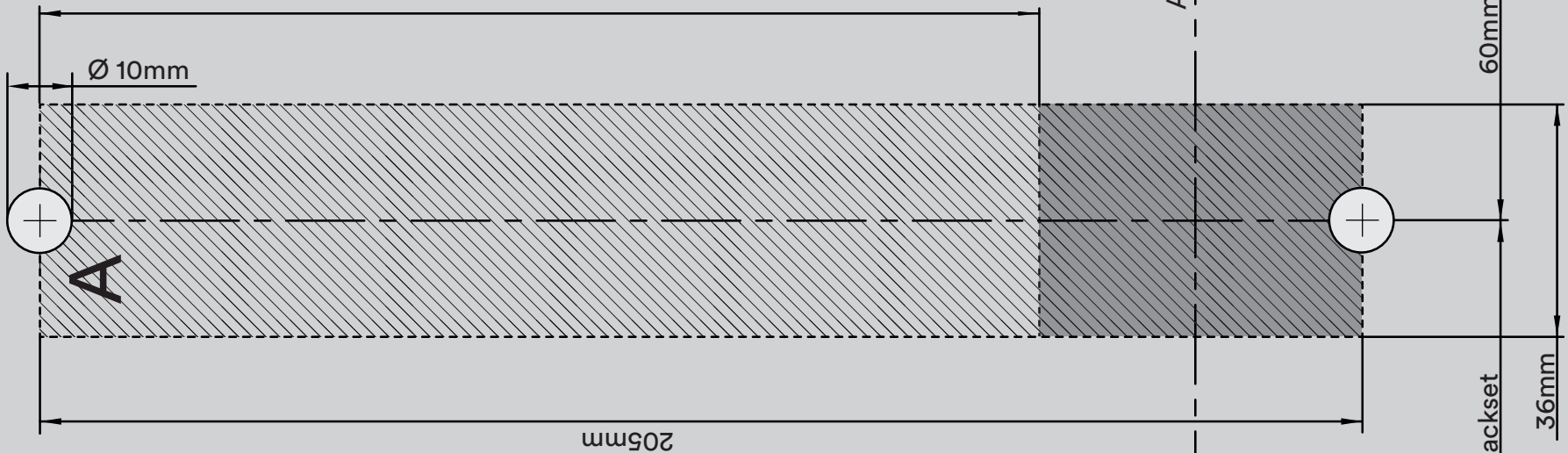


Trim here if required

Trim here if required



SLIDING PULL NON-LOCKING AND PRIVACY FUNCTION DRILL TEMPLATE



Align with door edge

EDGE OF DOOR

Guideline

Align with door edge

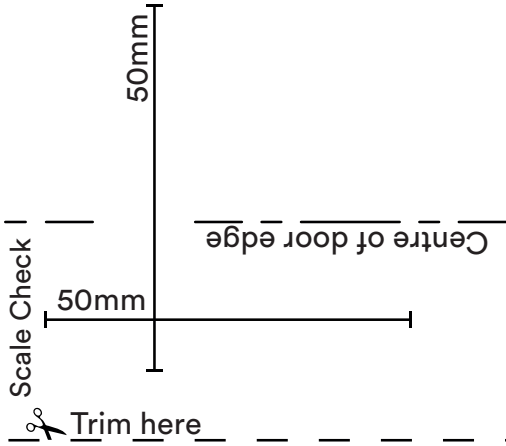
60mm backset

36mm

60mm backset

Align guideline with template A & B

Align with door edge



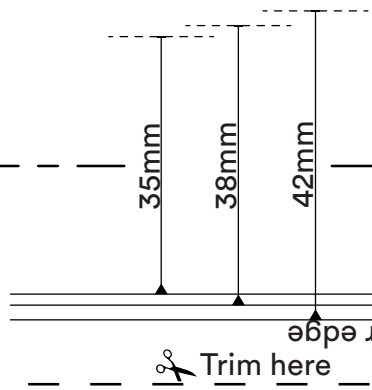
Scale Check

50mm

50mm

Centre of door edge

Trim here



Trim here

Align with left hand side of door edge

B

14mm

23mm

Guideline

Centre of door edge

Trim here

iver

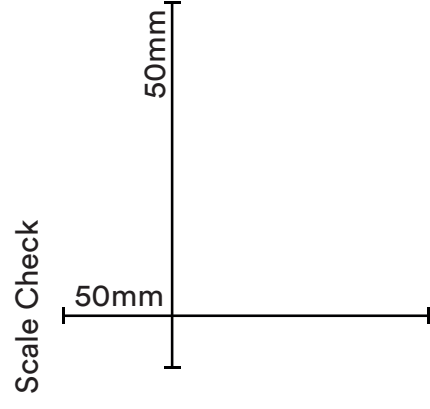
iver

ADJUSTABLE KEEPER DRILL TEMPLATE



Caution

- * Please take time to read the installation guides in full, prior to commencing any work on the door.
- * Check the template is the appropriate template required for the installation
- * Check the scale of the template is correct, using the scale check. If the template is not to scale, please contact your distributor.



Align with edge of door jamb

Centre of door edge

16mm

58mm

Align guideline with latch faceplate

Align guideline with latch faceplate

Align with edge of door jamb

35mm

38mm

42mm

